

# L2 Lite Cloud/Web Managed PoE Switch

## GNT-DS110UF-P

- Total Power 120W
- RJ45 (PoE) Ports \* 8
- 2 ports Uplink

## Product Features

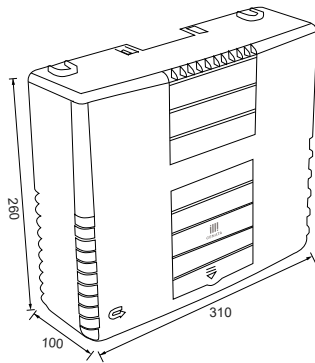
- Support Cloud/Web Management
- Support MAC Address searching;
- Support port 250 meters transmission (10Mbps);
- Support Locator Flash

## Ports Description

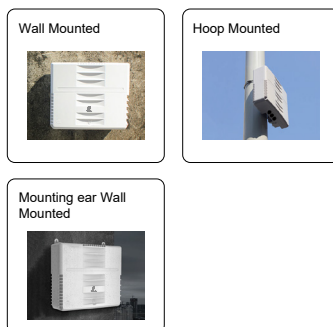


- ① 100Mbps PoE Ports
- ② 60W Power Ports
- ③ 1000Mbps Uplink Ports

## Dimension (mm)



## Installation Diagram



## Specifications

Model	GNT-DS110UF-P
Ports	PoE (1~6): 10/100Mbps PoE ports (RJ45) PoE (7~8): 10/100Mbps PoE ports (RJ45),Support bt 60W High Power Uplink (9~10): 10/100/1000Mbps uplink ports (RJ45)
Transmission Distance	Port (1~8): 10/100Mbps 130meters; 10Mbps Auto-adaption 250meters
Networking Standard	IEEE 802.3i 10BASE-T/IEEE 802.3u 100BASE-TX; IEEE 802.3ab 1000BASE-T; IEEE 802.3x Flow Control; IEEE 802.3af/at Power over Ethernet;
Web Management	Factory IP: 10.253.10.253; Default password: admin;
Indicator Light	PoE Port: Red Solid (PoE On), Green Blinking (Data) Uplink Port: Green Blinking (Data)
MAC Address Management	Support MAC Address searching; Support MAC Address Learning;
Port Management Features	Support port Status Display; Support port speed and Duplex configuration; Support port Adaptive MDI/MDI-X; Support port 250 meters transmission (10Mbps);
DHCP	Support DHCP Client;
Management Features	Support Web-based Management (HTTP); Support Cloud Management;
Switching Capacity	5.6Gbps
Packet Forwarding Rate	4.16Mpps
MAC Address Table	2K
Protection Level	Lightning Protection: 6KV; ESD Protection: 8KV;
Working Environment	Operating Temperature: 30°C~60°C Storage Temperature: -40°C~70°C Operating Humidity: 10%~90% Non-condensing Storage Humidity: 5%~90% Non-condensing
Power Supply	Power Input: 100~240V; Total power consumption ≤ 120W;
Physical Specifications	310*260*100mm
Certification	CE; FCC; RoPS 2.0
Warranty	1-year Warran
Package Content	AC Power Cable, User Manual, Installation Kits (Steel hoops, Waterproof pipes, Wall mounting earrings)